

# iHF 3D

COM1 - black  
 EAN 4007841 066215  
 Article number 066215



## Function description

Makes all the difference outside. Precisely where you want it to. iHF 3D motion detector, ideal for facades, carports, parking areas and patios. 160° iHF-sensor with 5 m reach, 3D aerial technology, identifies and distinguishes between moving objects, no inadvertent triggering any more by small animals, very low or high temperatures. Detects everything equally well whichever direction it is approached from. Easy to adjust and interconnect by app and Bluetooth.

## Technical specifications

|                            |   |   |  |
|----------------------------|---|---|--|
| Dimensions (L x W x H)     | 120 x 117 x 120 mm  | Optimum mounting height                       | 1,8 m                                  |
| With motion detector       | Yes   | HF-system                                     | 5,8 GHz                                |
| Manufacturer's Warranty    | 5 years   | Detection angle                               | 160 °                                  |
| Settings via               | Potentiometers, Bluetooth   | Angle of aperture                             | 100 °                                  |
| With remote control        | No  | Sneak-by guard                                | Yes                                    |
| Version                    | COM1 - black  | Capability of masking out individual segments | Yes                                    |
| PU1, EAN                   | 4007841066215   | Electronic scalability                        | Yes                                    |
| Type                       | Motion detectors  | Mechanical scalability                        | No                                     |
| Application, place         | Outdoors  | Reach, radial                                 | r = 5 m (35 m <sup>2</sup> )           |
| Application, room          | outdoors, front door, all round the building, terrace / balcony, courtyard & driveway | Reach, tangential                             | r = 5 m (35 m <sup>2</sup> )           |
| Colour                     | black   | Transmitter power                             | < 1 mW                                 |
| Colour, RAL                | 9005  | Functions                                     | Normal / test mode, Manual ON / ON-OFF |
| Includes corner wall mount | No  | Twilight setting                              | 2 – 2000 lx                            |
| Installation site          | wall  | Time setting                                  | 5 s – 60 Min.                          |
| Installation               | Surface wiring, Wall  | Basic light level function                    | No                                     |

# iHF 3D

COM1 - black  
EAN 4007841 066215  
Article number 066215



## Technical specifications

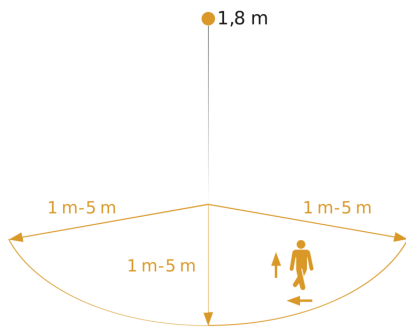
|                               |   |
|-------------------------------|---|
| IP-rating                     | IP54  |
| Ambient temperature           | from -20 up to 50 °C                                      |
| Material                      | Plastic   |
| Mains power supply            | 220 – 240 V / 50 – 60 Hz                                  |
| Switching output 1, resistive | 2000 W  |
| Technology, sensors           | iHF (intelligent high-frequency technology), Light sensor |
| Mounting height               | 1,80 – 2,00 m   |
| Mounting height max.          | 2,00 m  |

|                           |                  |
|---------------------------|------------------|
| Main light adjustable     | No               |
| Twilight setting TEACH    | Yes              |
| Constant-lighting control | No               |
| Interconnection           | Yes              |
| Type of interconnection   | Master/master    |
| Interconnection via       | Cable, Bluetooth |
| Product category          | Motion detector  |

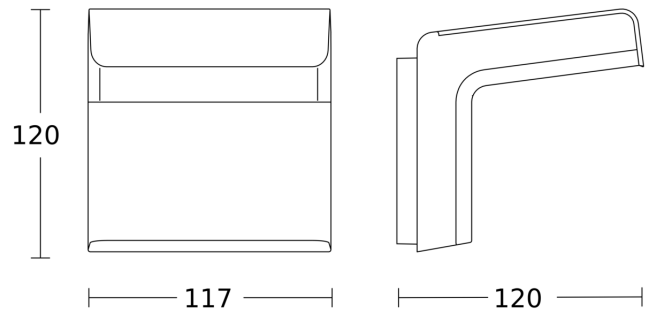
# iHF 3D

COM1 - black  
EAN 4007841 066215  
Article number 066215

## Detection Zone



## Dimension Drawing



Possible mounting height: 1,80 m - 2,00 m  
Orange: radial and tangential  
3 scalable axes

## Master circuit diagram

